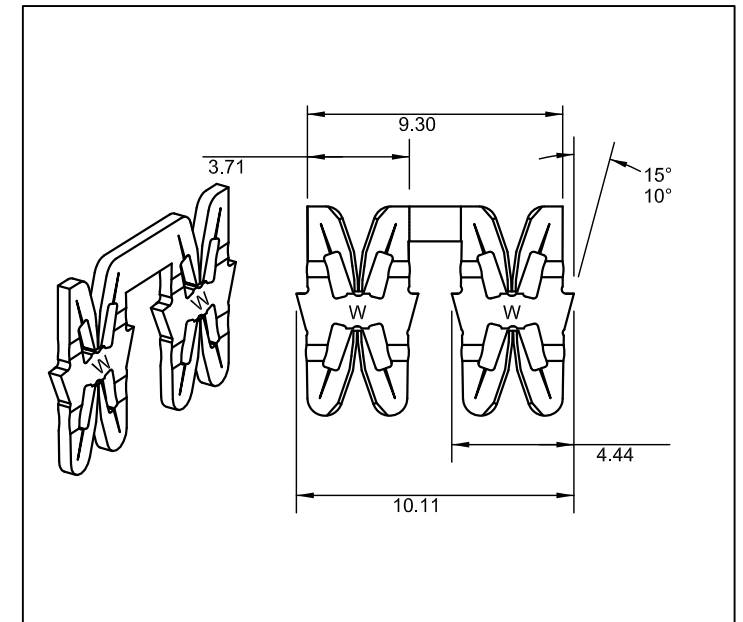
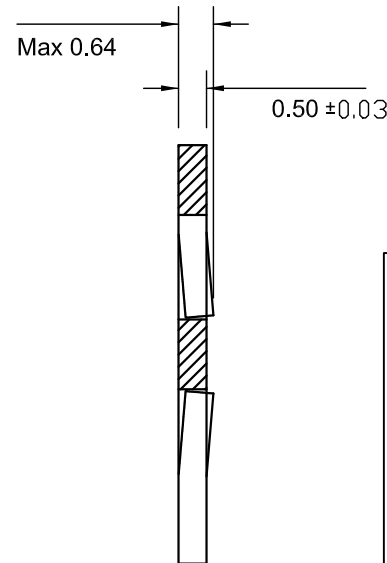
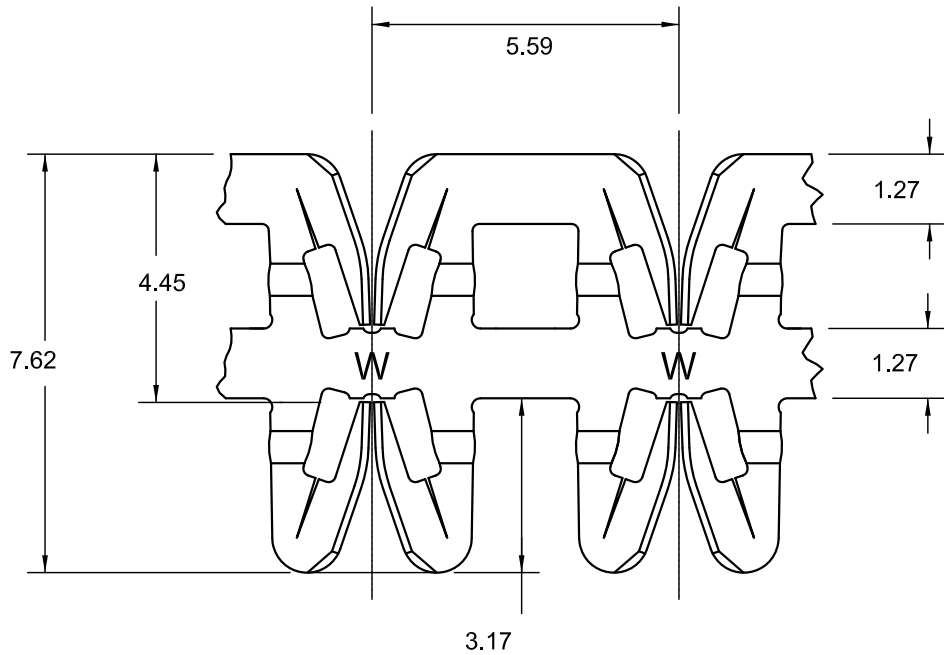


**SPECIFICATIONS:**  
 MAGNET WIRE:  $\varnothing$  0.13/1.00 mm (18/36 AWG)  
 LEAD WIRE: 0.3/0.8 sqmm (18/22 AWG)  
 2.9 max insulation  
 POCKET RECOMMENDATION: 551101



TERMINAL FEED LH

TERMINAL FEED RH



231101



231102



Drawn by LB	Drawing	Material Brass	Finish None	Scale 1/1	Date 20/01/12
<b>Wirecon S.r.l.</b>		Tolerances $\pm$ 0.13		Title TERMINAL WIRE TO WIRE	
		File name 231101 --- 231102			