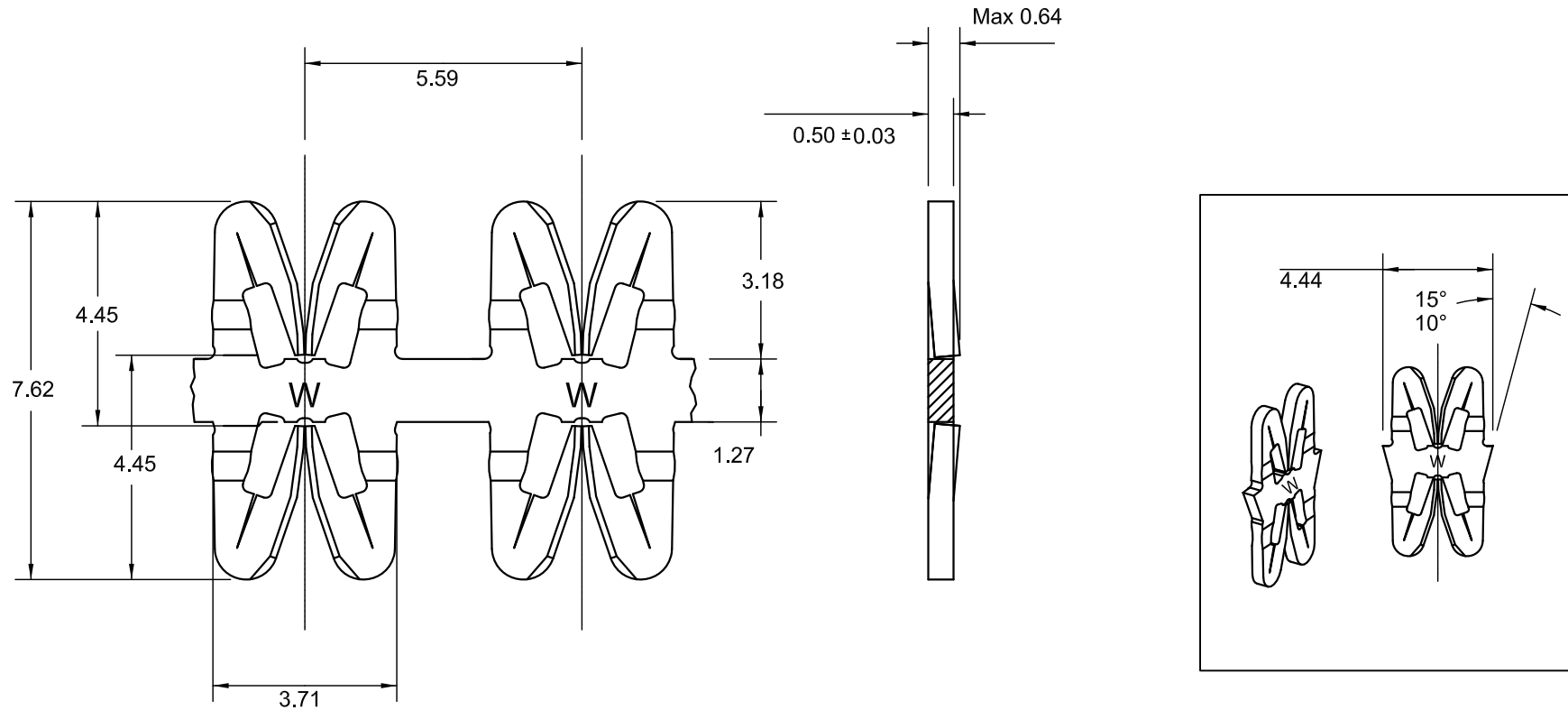


SPECIFICATIONS:  
MAGNET WIRE: Ø 0.13/1.00 mm (18/36 AWG)  
LEAD WIRE: 0.3/0.8 sqmm (18/22 AWG)  
Ø 2.9 mm max insulation  
POCKET RECOMMENDATION: 551001



TERMINAL FEED LH / RH



231001



Drawn by LB	Drawing	Material Brass	Finish None	Scale 1/1	Date 10/01/12
<b>Wirecon S.r.l.</b>		Tolerances ± 0.13			
		Title WIRE TO WIRE TERMINAL			
		File name 231001			