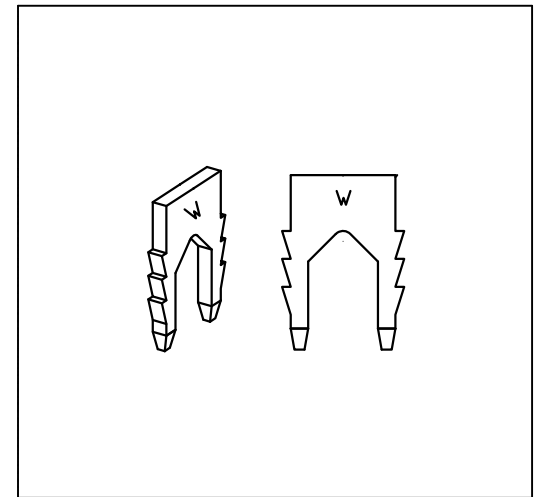


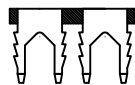
SPECIFICATIONS:

LEAD WIRE: 0.3/0.8 sqmm (18/22 AWG)
 Ø 2.9 mm max insulation
 POCKET RECOMMENDATION: 551101

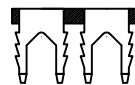


TERMINAL FEED LH

TERMINAL FEED RH



251001



251002



Drawn by LB	Drawing	Material Brass	Finish None	Scale 1/1	Date 20/01/12
Wirecon S.r.l.		Tolerances ± 0.13			
		Title TERMINAL FOR LEAD WIRE			
		File name 251001 --- 251002			